

---

## MULTIPLE PARTS IN PARTITIONED CONTAINER

---

### **1.0 APPLICABLE PARTS**

As referenced in the contracting document.

### **2.0 OBJECT**

To protect fragile, or critical, items by means of a container with individual compartments.

### **3.0 UNIT PACKAGING**

Wrap or bag each part in clear polyethylene film. Secure wrap with tape; seal bag by any means. When part has exposed silver surfaces, enclose a Piece of "Silver-Saver," or equivalent (Ref) in the package. Area of "Silver-Saver" shall be not less than 3/4 of largest side of package. In every instance, identity of "Silver-Saver" shall be maintained.

Insert wrapped part(s) snugly in either a slotted container (Figure 1) or slotted cushioning in a container (Figure 2). Quantity of wrapped parts in a container shall be either in sets, or as specified.

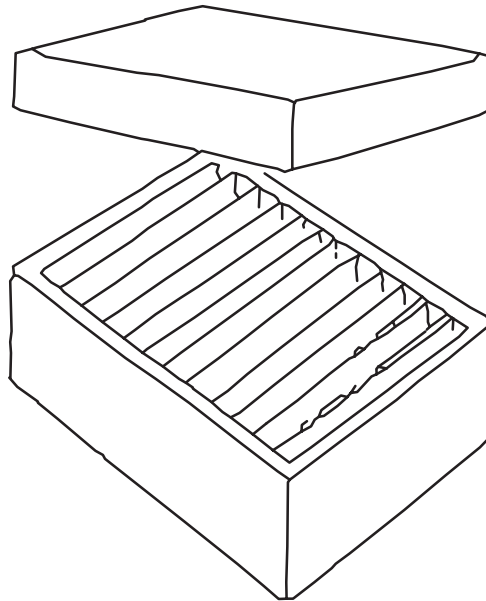


Figure 1. Slotted Container

P10164-001

### **4.0 UNIT PACKAGE MARKING**

Labor or mark each unit package to show, at least, supplier identity, nomenclature, and part number per contracting document. When part(s) have Thermal Control Surfaces, label per P-201.

### **5.0 INTERMEDIATE PACKAGING**

Not applicable.

### **6.0 PACKING**

Pack any number of unit package containers in a shipping container which conforms to carrier regulations. the closures and the gross weight of the loaded container shall conform to both carrier regulations and container limitations. Place one copy of the shipping documents in the shipping container or affix one copy, in a protective envelope, to the outside of the container. If the intermediate container complies with applicable carrier regulations, no additional shipping container is required.

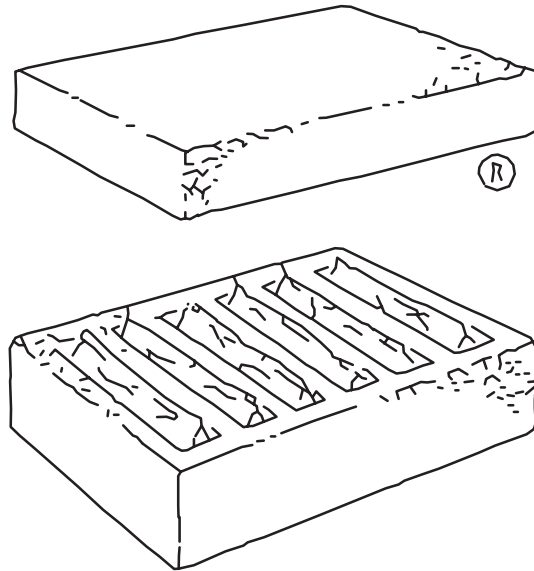


Figure 2. Slotted Cushioning

P10165-001

## **7.0 SHIPPING CONTAINER MARKING**

Label or mark each container to show part number per contracting document, the LMSC contacting document number, supplier, destination and quantity of parts.

## **8.0 CRITERIA**

Packing shall be accomplished in such a manner as to prevent physical damage to, or degradation of, the packaged items during delivery to the using activity. It shall be the prerogative of LMSC to return damaged items, at supplier's expense, where such damage is attributable to improper or inadequate packaging. Weights and cubes of unit, intermediate and shipping containers shall be held to practical minimums.

## **9.0 REFERENCE DATA**

PPP-B-566 – Boxes, Folding, Paperboard (design only) PPP-B-636 – Boxes, Fiber (design only).

PPP-B-676 – Boxes, Setup, Paperboard (design only), Consolidated Freight Classification #23, Rule 41

LMSC Management Procedure 10.04-2, Packaging Standards (LAC-PAC)

LAC 1001, Protective Packaging and Handling, General Specifications for OD 14309, Protection of PMS Material During Fabrication, Assembly and Storage

RV-S-0053, Protective Packaging and Handling, General Specification for P-201, Lockheed Packaging Standard

LPS 40-001, Lockheed Packaging Standard "Silver-Saver" – Daubert Chemical Co., Oakbrook, IL, or equivalent

**NOTE:** "Equivalent" materials shall be submitted to LMSC Orgn 48-20 for approval prior to use by a supplier.

This standard forms a part of LMSC contracting documents, as applied. It provides detail support to the general concepts of LMSC Materials Handling and Packaging Standards, RV-S-0053 and OD 14309, as applicable. This standard is authorized by LMSC Management Procedure 10.04-2. Details of package construction are as defined in LPS 40-002A, Control Specification.